

EXCAVATOR TIMBERWOLF FORESTRY TREE SHEARS



WWW.TREESHEARS.COM • 1-800-530-5407

MADE BY  DYNAMAX

THE MOST RUGGED TREE

DYMAX EXCAVATOR TIMBERWOLF

Dymax Excavator Timberwolf Tree Shears are the toughest best engineered excavator tree shears made. Backed by the highest level of support and service the Dymax Excavator Timberwolf features rugged construction, superior design and super fast cycle times.

Ideally suited for right-of-way maintenance, general land clearing, thinning and hazard fuels reduction programs. Dymax Excavator Timberwolf Tree Shears are available for compact machines to medium-large sized excavators. All models feature two heavy duty grapple arms which allow operators to place trees into collective piles. An optional spring loaded accumulator arm is available for bunch cutting smaller diameter materials.

Other options include delimiting tower construction to eliminate dead branches and hydraulic rotation which give the operator precision cutting when working on uneven terrain.

Dymax Excavator Timberwolf Tree Shears outpower the competition making fast work of hardwoods or softwoods.

HYDRAULICS

Features large hose lines and heavy duty shearing cylinders. Hoses are routed internally and are protected from the abusive elements inherent in tree shearing operations. Dymax standard model Timberwolf tree shears feature a sequencing valve which allows the grapple arms to secure the tree before shearing. Accumulator arm models are setup with an electro/hydraulic diverter valve. (Wire and connectors are not supplied).



WARRANTY

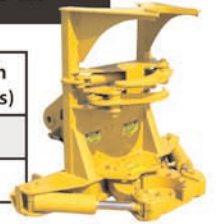
The Excavator Timberwolf is backed by a two year, 1000 hr structural warranty. Contact Dymax for more information.



WWW.TREESHEARS.COM

10" EXCAVATOR TIMBERWOLF

| 10" | Weight (lbs) | Height (inches) | Width (inches) | Depth (inches) |
|----------------|--------------|-----------------|----------------|----------------|
| Standard | 1180 | 45.47 | 54.60 | -- |
| w/ Accumulator | 1310 | 45.47 | 54.60 | -- |



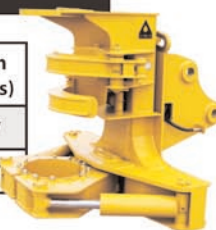
14" EXCAVATOR TIMBERWOLF

| 14" | Weight (lbs) | Height (inches) | Width (inches) | Depth (inches) |
|----------------|--------------|-----------------|----------------|----------------|
| Standard | 1990 | 60 | 66 | -- |
| w/ Accumulator | 2380 | 60 | 66 | -- |



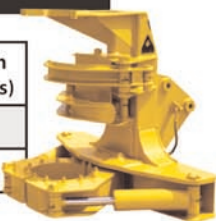
16" EXCAVATOR TIMBERWOLF

| 16" | Weight (lbs) | Height (inches) | Width (inches) | Depth (inches) |
|----------------|--------------|-----------------|----------------|----------------|
| Standard | 2680 | 57.13 | 73 | 65.37 |
| w/ Accumulator | 3080 | 66.21 | 66 | 65.37 |



18" EXCAVATOR TIMBERWOLF

| 18" | Weight (lbs) | Height (inches) | Width (inches) | Depth (inches) |
|----------------|--------------|-----------------|----------------|----------------|
| Standard | 4600 | 68 | 90 | 76 |
| w/ Accumulator | 5400 | 86 | 90 | 76 |



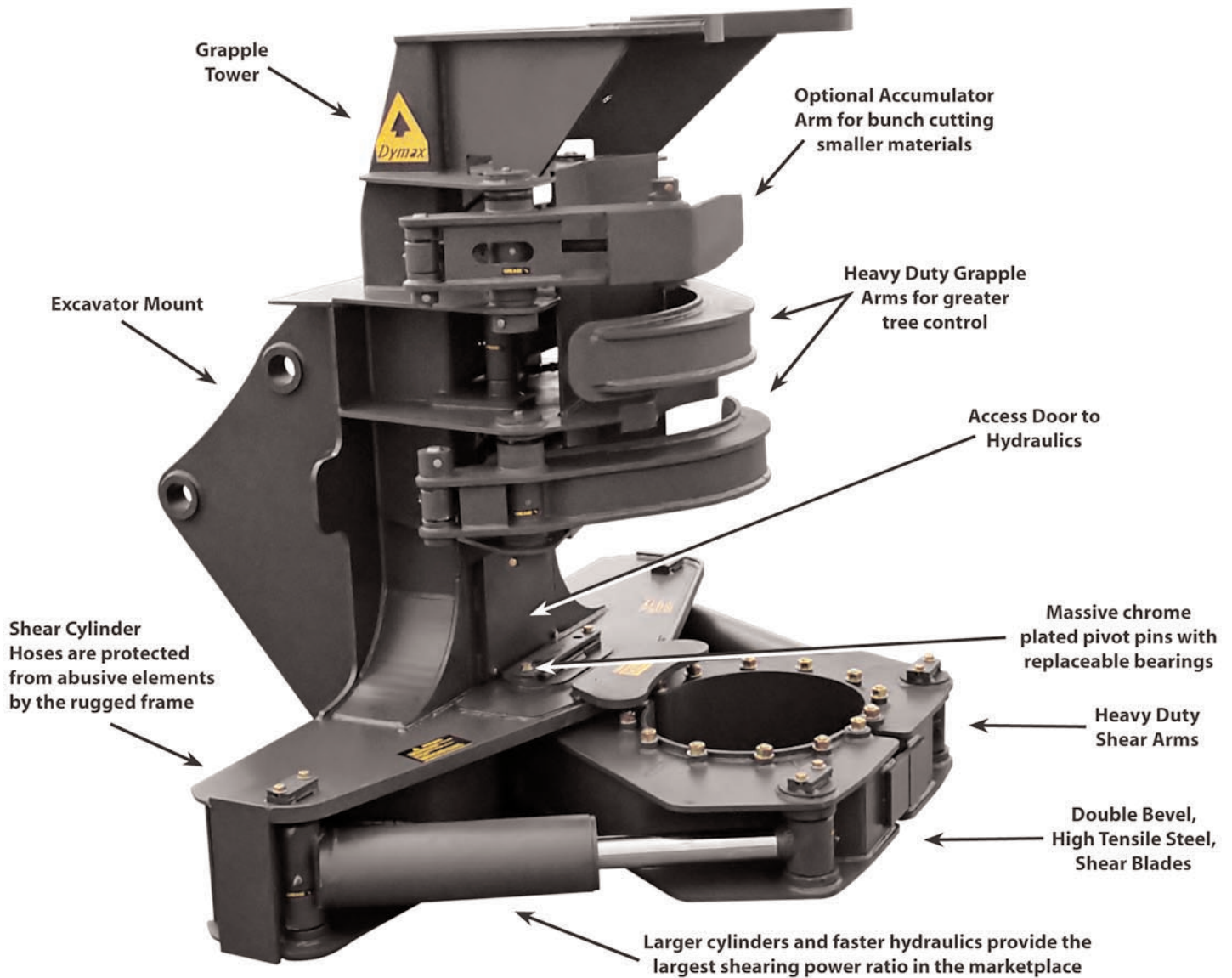
20" EXCAVATOR TIMBERWOLF

| 20" | Weight (lbs) | Height (inches) | Width (inches) | Depth (inches) |
|----------------|--------------|-----------------|----------------|----------------|
| Standard | 5300 | 72 | 90 | 84.13 |
| w/ Accumulator | 6300 | 91 | 90 | 84.13 |



ES SHEAR MARKET

16" TIMBERWOLF WITH ACCUMULATOR ARM



| MACHINE REQUIREMENTS | | Hydraulic Flow Requirement: gpm | Hydraulic Pressure Requirement: psi | Machine Recommended Operating Weight: lbs |
|--|------------|---------------------------------|-------------------------------------|---|
| Excavator Timberwolf Tree Shear Models | 10" | 14 (minimum) | 3,000 (min) - 3,200 (max) | 13,000 - 20,000 |
| | 14" | 18 (minimum) | 3,000 (min) - 3,200 (max) | 19,000 - 40,000 |
| | 16" | 22 (minimum) | 3,500 (min) - 4,000 (max) | 35,000 - 50,000 |
| | 18" | 25 (minimum) | 3,500 (min) - 4,000 (max) | 35,000 - 60,000 |
| | 20" | 25 (minimum) | 3,500 (min) - 4,000 (max) | 45,000 - 70,000 |

ACCUMULATOR ARM STEP BY STEP OPERATION



Open shear arms and grapple arms, before approaching first tree.



Shear the first tree by activating the shear arms and grapple arms.



Close (activate) the accumulator arm by depressing the diverter valve switch. When the tree is securely held by the accumulator arm, proceed to the second tree.



Approach the second tree. Open the grapple arms and shear arms with the skid steers hydraulic actuator.



After successfully shearing the second tree, activate the spring loaded accumulator arm. It will pivot to the front of the trees holding them both securely before driving to the next target.



MAINTENANCE

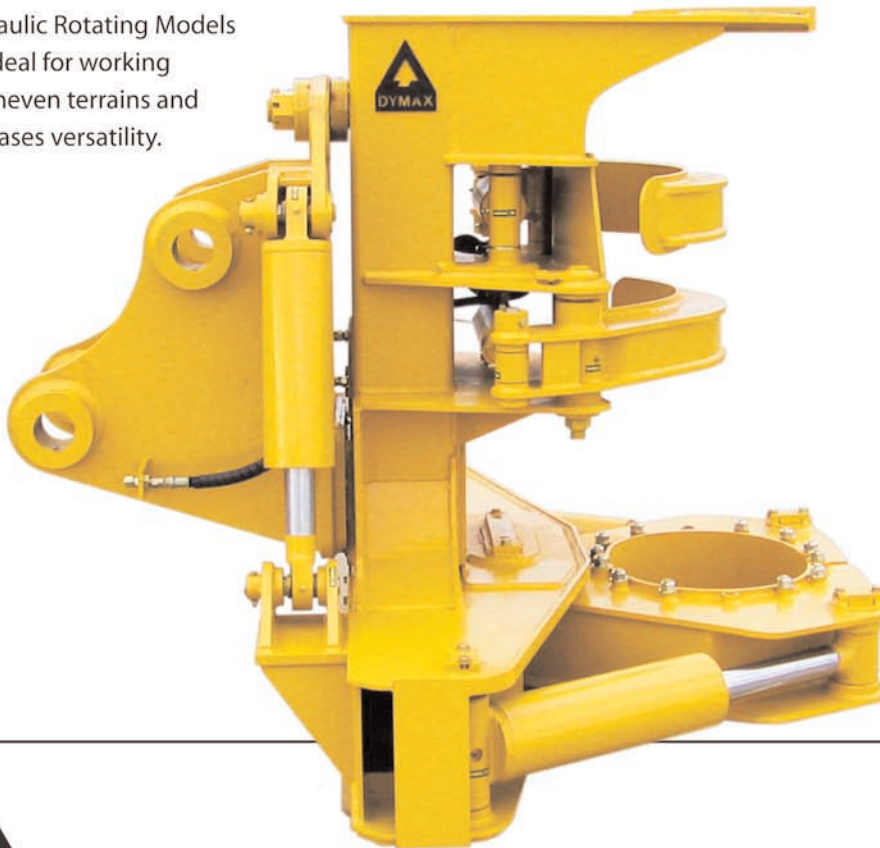
Maintenance for daily use of the Timberwolf Tree Shear includes daily greasing, general cleaning, check and tighten bolts, inspect for leaks, and sharpen and adjust blades as needed.

BLADE LIFE

Total blade life is 1500 - 2500 hours when used under normal conditions. (FYI: Trying to cut rocks or steel posts greatly reduces useful life)

OPTIONAL ROTATING MODEL

Hydraulic Rotating Models are ideal for working on uneven terrains and increases versatility.



View the video
of the Excavator Timberwolf
in action online at
www.TreeShears.com

